

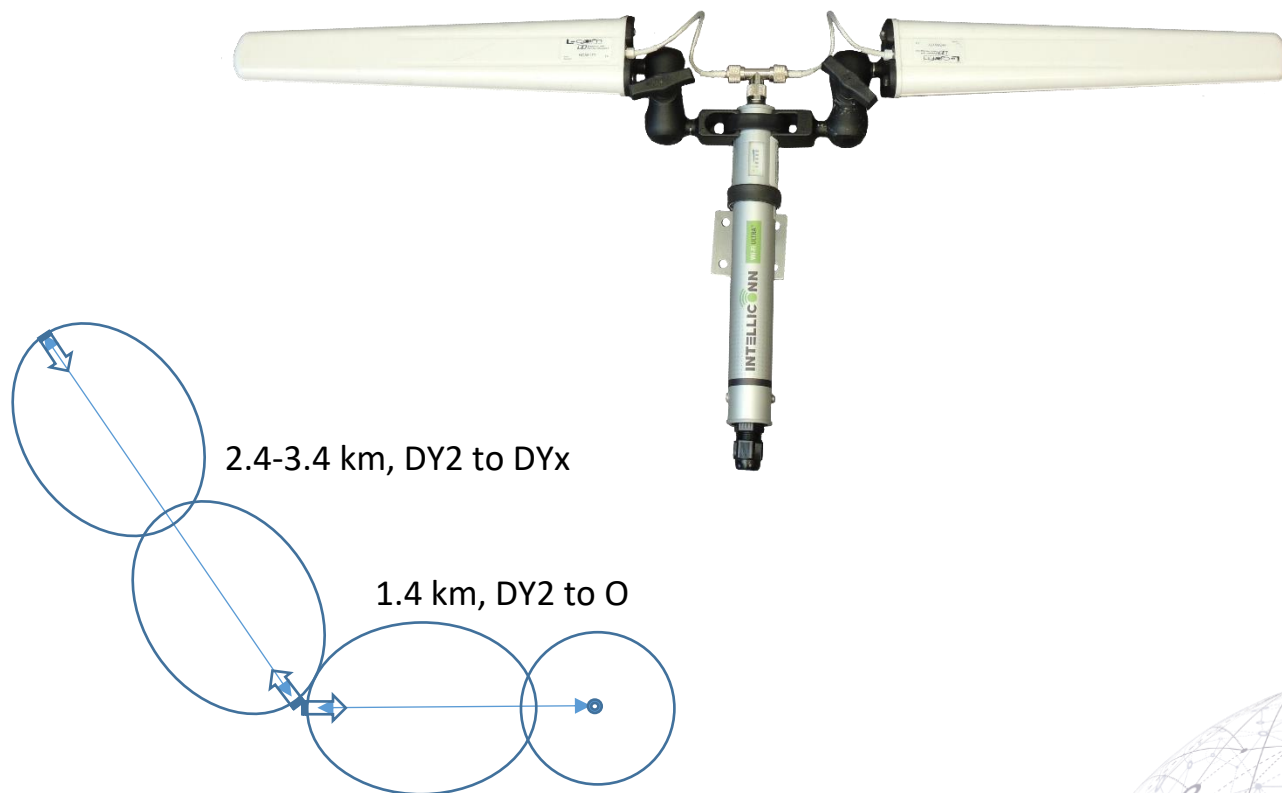
HM-DY2-1003 – hyMesh™ with 2 Directional Antennas

Description:

- Rugged, weatherproof hyMesh™ wireless communication node with dual directional Yagi antenna option for getting your internet where you need it on or off your site.
- Extends your hyMesh™ network 2-5 times further than the HM-O-1001. (distance dependent on meshing node antenna)

Application:

- Connects to your internet router/modem to act as a gateway from your internet service provider to other hyMesh™ units.
- Can act as a high speed wireless relay between two or more hyMesh™ nodes at longer distances than the HM-O-1001.
- Can provide an Ethernet connection for an IP device, such as a surveillance camera, when local Wi-Fi access is not required.
- Can provide isolation from nearby interfering devices which may affect a node with an Omni antenna



'Yagi to Yagi' and 'Yagi to Omni' Coverage Pattern Diagram



Installation Considerations:

- The DY2 can provide 1.4km+ connectivity in one direction to an HM-O-1001.
- Can be paired with another HM-DYx and achieve 2.4-3.4km meshing.
- One (and only one) hyMesh™ Node in the network must be connected to the Internet Router/Modem, normally located at the main residence. This is the Gateway Node.
- Each hyMesh™ Node is powered by PoE (Power over Ethernet) via CAT5e Ethernet cable. A 110VAC/15VDC passive PoE Adapter with two ports, LAN and POE, is supplied with each unit:

LAN Port: The LAN port may be connected to either:

- a) The Internet router or IP addressable LAN device when used with a Gateway Node;
- b) A local Wi-Fi Access Point when used as a network Node; or
- c) An IP device such as a surveillance camera.

POE Port: The POE Port must be connected to the hyMesh™ Node to supply power.

Specifications:

hyMesh™ Firmware	4.8.1 (June 8 2016)
Networking interface	1 x 10/100 BASE-TX (Cat. 5, RJ-45) Ethernet
Wireless Approvals	FCC Part 15.247, IC RS210, CE
Dimensions	hyMesh™, no antenna: 13.5"x1.6" / 340mm x 40mm Antenna, each: 16.5"x3.5"x1.5" / 420mm x 90mm x 38mm
Weight	4.3lb / 1940g
Enclosure	Aluminum
Operating Frequency	5745MHz-5825MHz
Power Method	Passive PoE (Pairs 4, 5+; 7, 8 Return)
Power Supply	15V 12W PoE Adapter Included
Avg Power Consumption	2W
Antenna Gain	16.5dBi
Antenna Polarization	Vertical
Antenna Frequency	5725MHz - 5825MHz
Vertical / Horizontal Beamwidth	25° / 30°
VSWR	<1.5

Yagi Antenna Gain Pattern.

